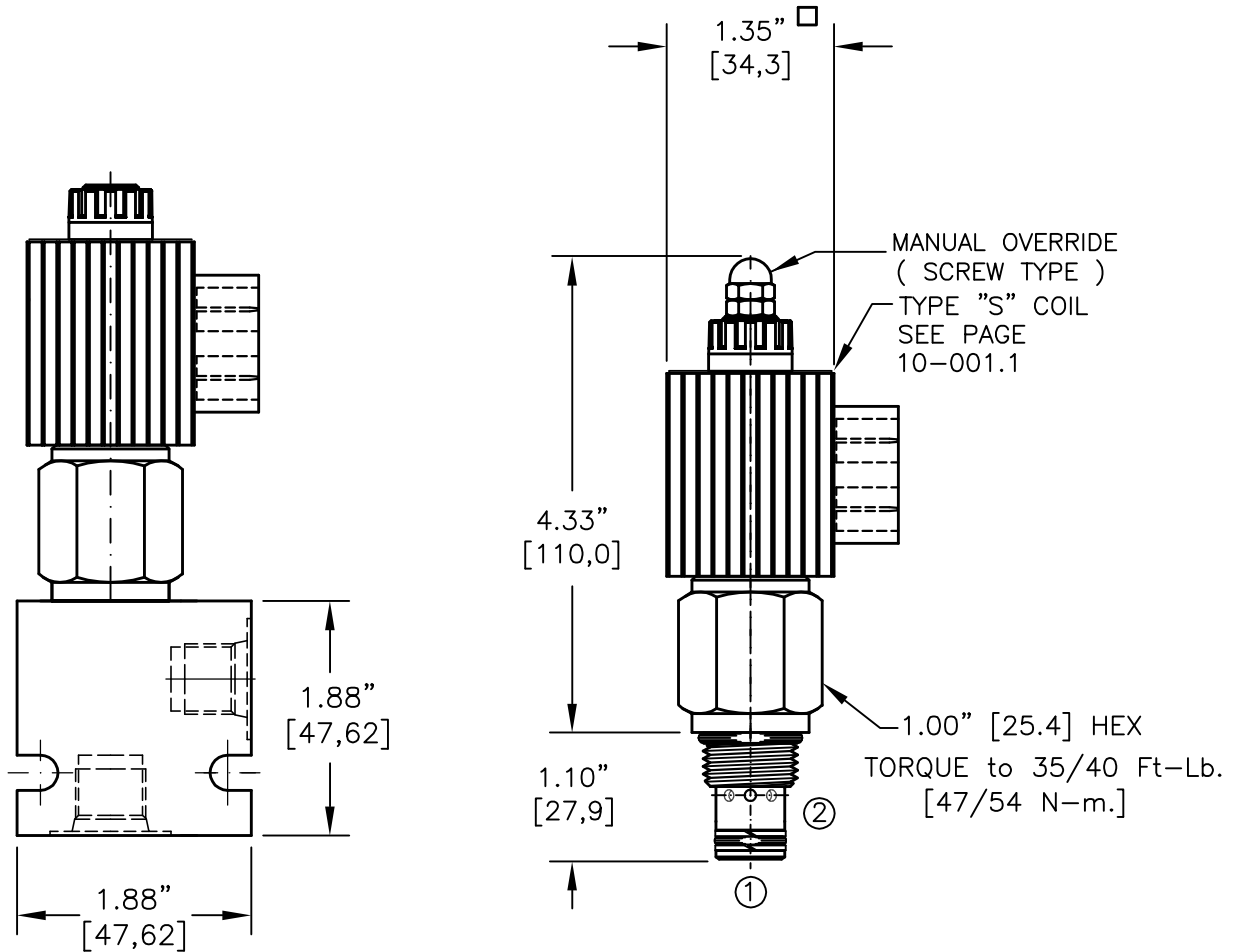
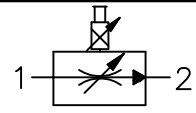




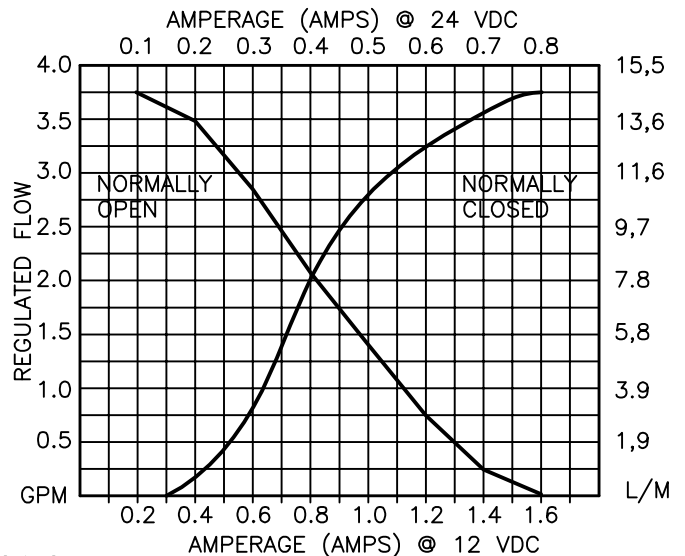
ELECTRO-HYDRAULIC, PROPORTIONAL, PRIORITY, PRESSURE COMP, FLOW CONTROL VALVE.



NOTES:

- 1. FOR ALUMINUM OR STEEL VALVE HOUSING CONFIGURATIONS SEE PAGE 0-011.1
2. SOLENOIDS AVAILABLE WITH DIODES - CONSULT FACTORY.

EPFI-08-X-X-XX-X-X-XXX X
BASIC
SIZE 08=0.75"-16UNF
SEALS N=BUNA "N", V=VITON
TYPE C=NORMALLY CLOSED, O=NORMALLY OPEN
REGULATED FLOW 03=0 TO 3.0 GPM
TERMINALS L=18GA. 24" LEADS, T=SPADE TERM., B=BOLT TERM., G=DIN43650, W=WEATHER-PACK, D=DEUTSCH-DT04-2P, M=METRI-PACK CONN.
VOLTAGE AMPS 12D=12 VDC 1.70, 24D=24 VDC 0.90
ADJUSTMENT OPTIONS 0=NONE, M=MANUAL OVERRIDE
PORTS 0=CARTRIDGE, 2BX=G 1/4" BSPP, 6TX=SAE #6, "A"-ALUM. HOUSING, "S"-STEEL HOUSING





## PROPORTIONAL, PRIORITY TYPE, PRESSURE COMP, FLOW CONTROL VALVE.

### DESCRIPTION

This valve is a cartridge style, electro-hydraulic, proportional, in-line (RESTRICTIVE) type, pressure compensated, hydraulic flow control. Regulated flow 3.0 GPM [11,4 L/M] max. is proportional to the current input regardless of load or system pressure.

### OPERATIONS

This unit is a direct acting (NO PILOT FLOW), electro hydraulic, proportional, pressure compensated flow control valve. When the coil is energized the armature moves the metering orifice open against a precision bias spring varying the flow. A pressure compensator spool (HYDROSTAT) modulates the flow at 100 PSI/6,9 Bar delta "P" providing the valve with a constant regulated flow regardless of load or system pressure. For the normally closed product when the current is increased to the coil the flow will increase. For the normally open product as the current is increased to the coil the flow will decrease. IN THE EVENT OF POWER FAILURE THE NORMALLY CLOSED VALVE WILL CLOSE AND THE NORMALLY OPEN VALVE WILL OPEN.

### FEATURES AND BENEFITS

Continuous-duty, very low heat rise & waterproof solenoid coil.  
Interchangeable solenoid coils & termination options available.  
Hardened precision fitted spool & sleeve provides reliable, long life.  
Very efficient wet - armature solenoid core tube construction.  
All external parts are zinc plated for longer life against elements.  
All cartridge valves are 100% functionally tested.

### SPECIFICATIONS

OPERATING PRESSURE: 5,000 PSI [350 Bar]  
PROOF PRESSURE: 10,000 PSI [700 Bar]  
REGULATED FLOW: 3.0 GPM [11,4 l/m] Max. See performance chart.  
INTERNAL LEAKAGE: 23 cu.in/min [379 cc/min] @ 5,000 PSI [350 Bar]  
VALVE HOUSINGS: 2500 PSI [175 Bar] = Aluminum - Anodized.  
5000 PSI [350 Bar] = Steel - Unplated.  
OPERATING TEMPERATURE: -40° to +250° F. [-40° to +120° C.]  
OPERATING MEDIA: All general purpose hydraulic fluids such as  
MIL-H-5606, SAE-#10, SAE-#20, etc.  
RESPONSE: The most efficient method to control this valve is with  
current control and a 50 Hz dither.  
POWER REQUIREMENTS: 12 VDC, Operating current 0.2 to 1.6 AMPS.  
24 VDC, Operating current 0.1 to 0.8 AMPS.  
SEAL KIT: SKN-0832 Buna "N"  
SKV-0832 Viton  
INSTALLATION: No restrictions.  
WEIGHT: 0.98 lb. [0,45 kg] cartridge with coil only.  
VALVE CAVITY: #C0830, See Page 0-011.0.