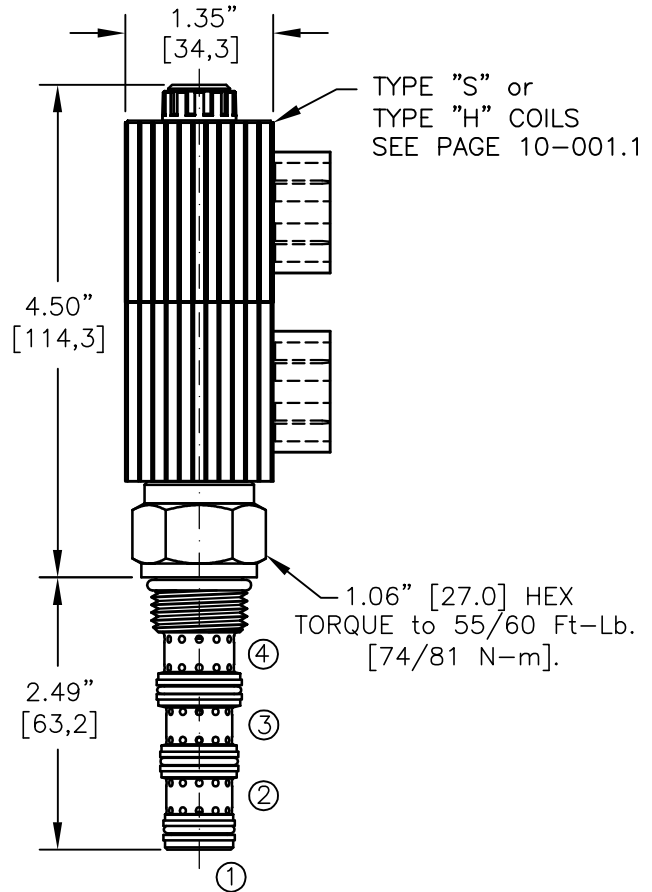
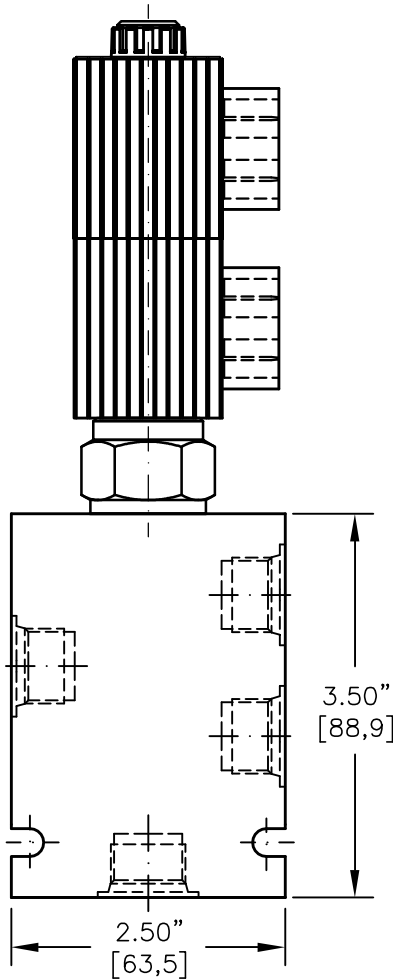
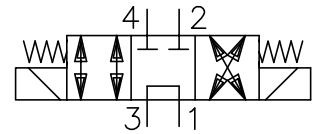




# SOLENOID VALVE, 4-WAY, 3-POSITION. DIRECT ACTING SPOOL



**NOTES:**

- FOR ALUMINUM OR STEEL VALVE HOUSING CONFIGURATIONS SEE PAGE 0-042.1
- SOLENOIDS AVAILABLE WITH DIODES - CONSULT FACTORY.

**EMBV-10-X-4J-X-XXX X X**

**BASIC** \_\_\_\_\_

**SIZE** \_\_\_\_\_  
10 = 7/8"-14 UNF

**SEALS** \_\_\_\_\_  
N = BUNA "N"  
V = VITON

**TYPE** \_\_\_\_\_  
4J = "J" SPOOL  
4-WAY, 3-POSITION

**PORTS** \_\_\_\_\_  
0 = CARTRIDGE ONLY  
6TX = SAE - #6  
8TX = SAE - #8  
"A" - ALUM. HOUSING  
"S" - STEEL HOUSING

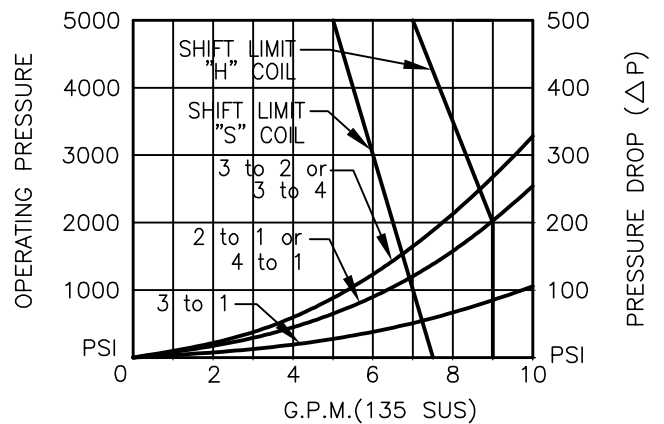
**TERMINALS** \_\_\_\_\_  
L=18GA. 24" LEADS  
T=SPADE TERM.  
B=BOLT TERM.  
G=DIN 43650  
W=WEATHER-PACK  
D=DEUTSCH-DT04-2P  
M=METRI-PACK CONN.

**VOLTAGE** \_\_\_\_\_ **AMPS** \_\_\_\_\_

VOLTAGE	AMPS	S	H
12D = 12 VDC	1.85	2.33	
24D = 24 VDC	.92	1.17	
36D = 36 VDC	.62		
48D = 48 VDC	.46		

H = ADD FOR TYPE "H" COIL

**CARTRIDGE ONLY**





## SOLENOID VALVE 4-WAY, 3-POSITION, SPOOL TYPE

### DESCRIPTION

This unit is a FOUR-WAY, THREE POSITION, cartridge type, spool type, direct acting, screw in type, solenoid operated, double coil, bidirectional tandem center selector valve.

### OPERATIONS

At the initial position, this valve allows flow between ports 3 & 1 and blocks ports 2 & 4.

When the upper solenoid coil is energized, the spool in this valve is shifted and allows flow between ports 2 and 3 and ports 1 and 4.

When the lower solenoid coil is energized, the spool in this valve is shifted and allows flow between ports 3 and 4 and ports 2 and 1.

### FEATURES AND BENEFITS

Continuous-duty, very low heat rise & waterproof solenoid coils.

Interchangeable solenoid coils & terminations options available.

Hardened precision fitted spool & sleeve provides reliable, long life.

Very efficient, wet-armature solenoid core tube construction.

All external carbon steel parts are plated for longer life against the elements. All cartridge valves are 100% functionally tested.

Industry common cavity.

### SPECIFICATIONS

OPERATING PRESSURE: 5,000 PSI [350 Bar]

PROOF PRESSURE: 10,000 PSI [700 Bar]

FLOW: 9.0 GPM [34,1 l/m] max. (SEE PERFORMANCE CHART)

INTERNAL LEAKAGE: 20cu.in/min [328 cc/m] @ 5,000 PSI [350 Bar]

VALVE HOUSINGS: 2500 PSI [175 Bar] = Aluminum - Anodized.

5000 PSI [350 Bar] = Steel - Unplated.

OPERATING TEMPERATURE: -40° to +250° F. [-40° to +120° C.]

OPERATING MEDIA: All general purpose hydraulic fluids such as MIL-H-5606, SAE-#10, SAE-#20, etc.

RESPONSE TIME: First indication of change in pressure with 100% voltage supplied @ 80% of nominal flow rating.

\* Pull-in: 50 ms

\* Drop-Out: 50 ms

SEAL KIT: SKN-1042 Buna "N"

SKV-1042 Viton

WEIGHT: 2.1 lb [.95 kg] cartridge with coils only.

VALVE CAVITY: #C1040, See Page 0-042.0.